



# Chevy Chase Shower Doors

SLIDETRACK Glass Door Systems  
Next generation | Maximum flexibility | Minimal installation effort



# NEW STANDARDS IN TECHNOLOGY, DESIGN AND COMFORT

---

Modern interior design calls for holistic room concepts that combine minimalist design with maximum comfort. While good design is recognizable at first glance, comfort is usually in the detail and only becomes clear with use.

The high-quality look of the system goes hand in hand with sophisticated sliding door technology. It is made up of three components: track, roller system and clamping mechanism, and makes both installation and use particularly easy.

Using SLIDETRACK glass doors is not only a space-saving design device but they are also ideal as room dividers and visual features in generously designed living areas. This is the case for classic wall mounting, as a telescopic solution or for mounting flush with the ceiling.

With this system you have the right system for every application.





# SLIDETRACK

---

SLIDETRACK Wall Mounting	6
SLIDETRACK Ceiling Mounting	10
SLIDETRACK Ceiling Mounting with Sidelite	12
SLIDETRACK Accessories	16

## SLIDETRACK - Concealed

---

SLIDETRACK Recessed & Wall Mount with Sidelite	18
SLIDETRACK - Concealed Flush	20
SLIDETRACK - Concealed Accessories	22

## Additional Products

---

Ladder Pulls	26
Flush Mount Handles	27
Duplocoll®	27

---



# SLIDETRACK

---

With SLIDETRACK, Chevy Chase Shower Doors offers a high-tech complete solution for sliding door systems that impresses with revolutionary running gear and noticeable smoothness. The special feature: the entire assembly requires only a few simple steps. Installation is quick, intuitive and cost-saving.





# SLIDETRACK - Concealed

The special design of the SLIDETRACK - Concealed sliding door series is used when the installation requires more than a simple ceiling or wall mounting. With SLIDETRACK - Concealed modular system, there are no limits to the room design. With only a few individual components and the compact track in which the glass clamp is located below the carriage, single and multi-panel doors as well as flush ceiling designs can be installed in no time at all.

## Compact running track

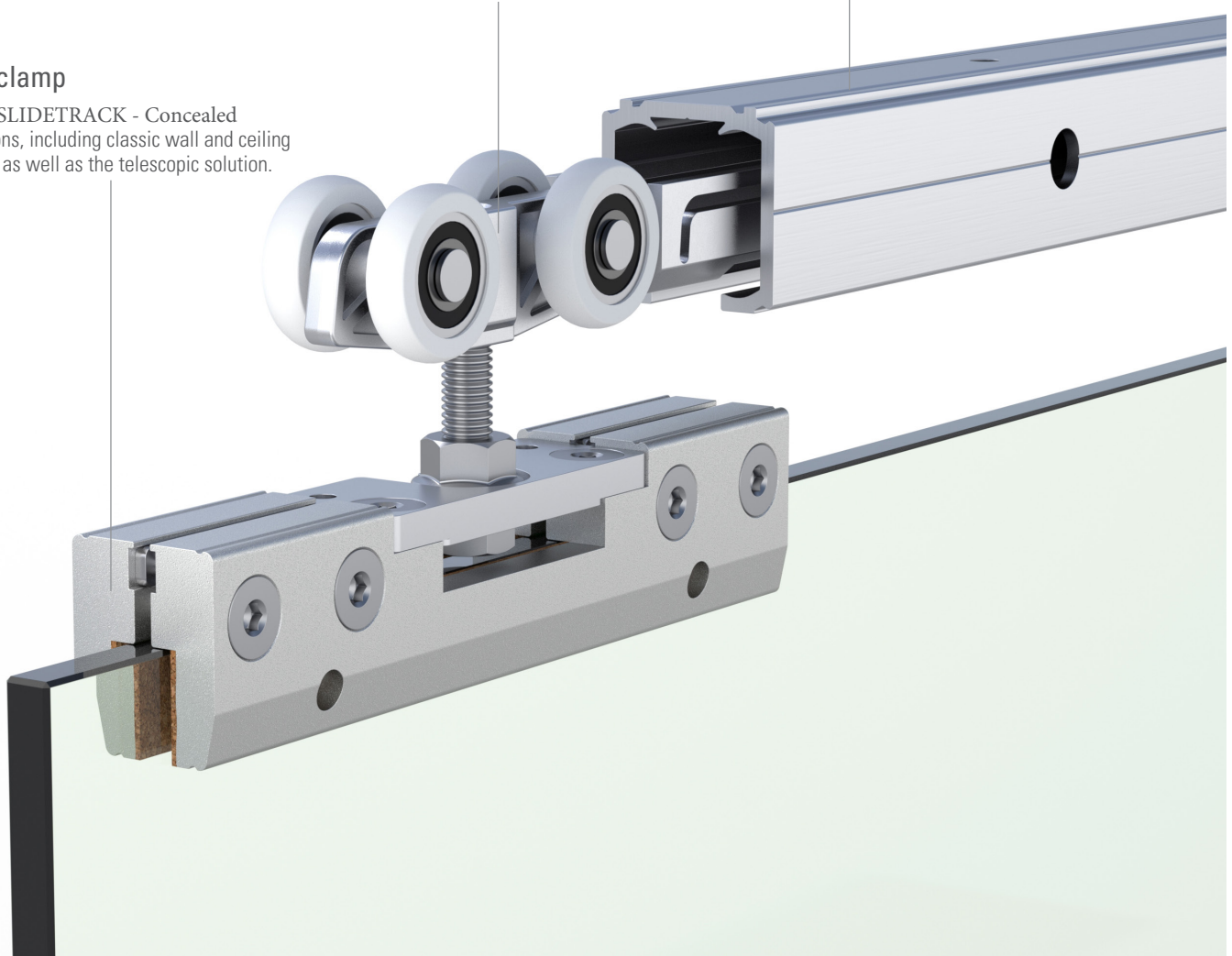
Suitable for various applications, for example, as a two- or three-panel telescopic solution or for flush ceiling installation.

## Rollers with retraction damping

The sliding door is gently and smoothly slowed down in one movement by the dampers. One retraction damper replaces one standard runner.

## Glass clamp

For most SLIDETRACK - Concealed applications, including classic wall and ceiling mounting as well as the telescopic solution.





# SLIDETRACK Wall Mount

---

## Product highlights

- Impressively smooth running
- Smooth closing mechanism
- Safe anti-jump protection
- Elegant appearance in the weight classes 176 lbs and 330 lbs
- Intuitive and cost-saving assembly
- All settings conveniently accessible from the front
- Modular design in all weight classes
- Metal shock absorbers with high-quality hydraulics and double-sided
- Synchronously opening systems possible

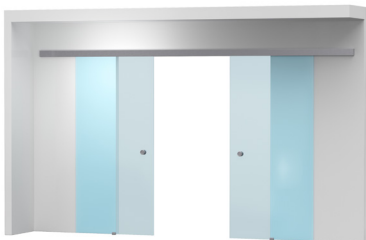




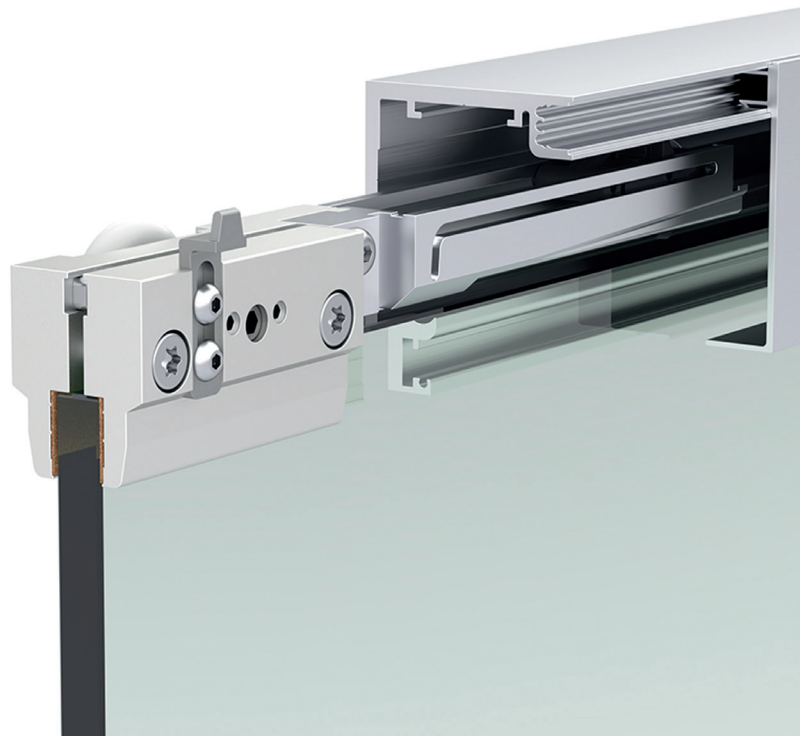
1 slider wall mounting



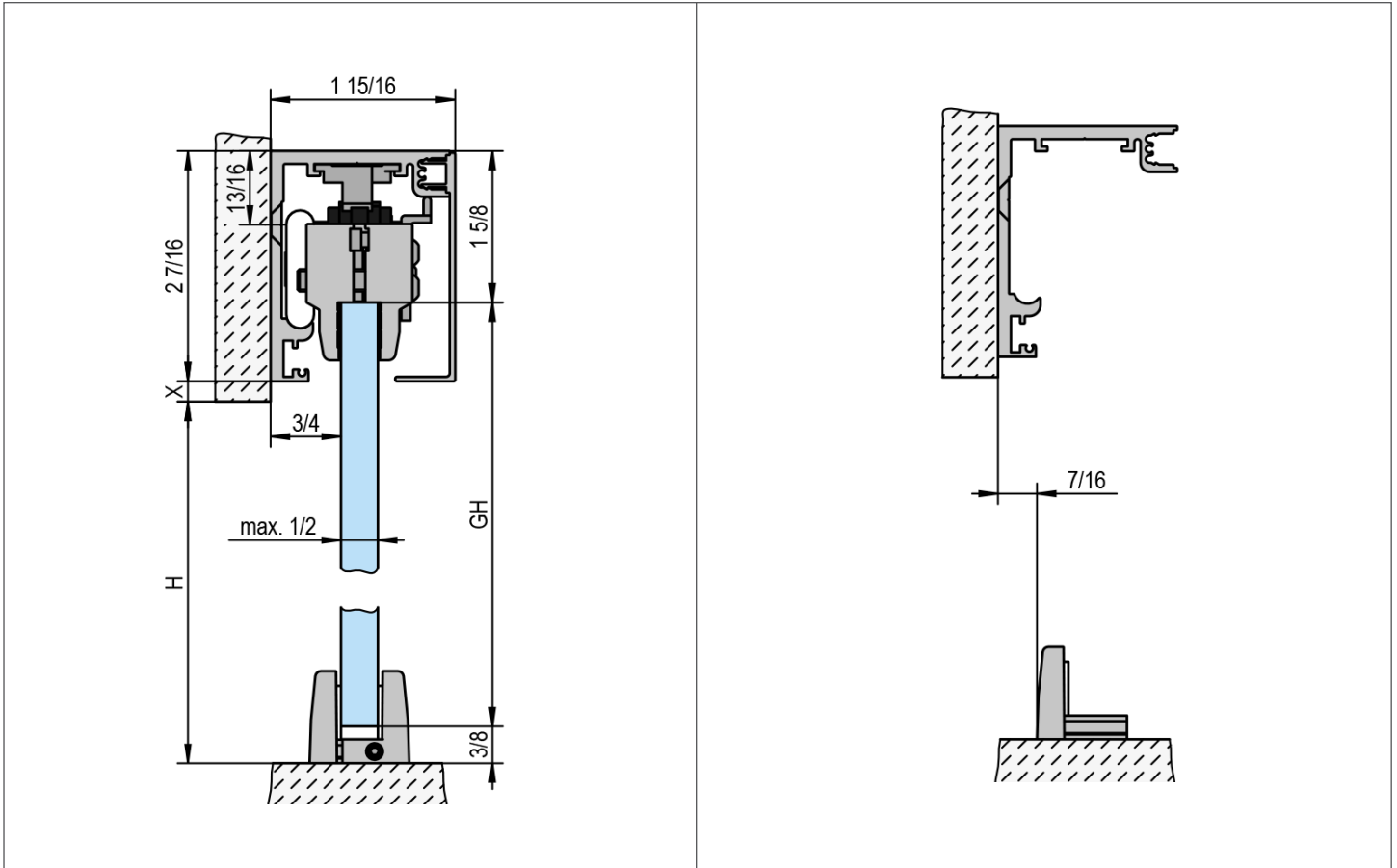
1 slider wall mounting on glass



2 slider synchro without fixed glazing wall mounting



# SLIDETRACK - Wall Mount



Glass height (GH) = H + X + 7/16" (or 11.5 mm)

LENGTH	FINISH	WEIGHT CAPACITY
78-11/16" (2 m)	Clear Anodized	176 lbs
78-11/16" (2 m)	Matte Black Anodized	176 lbs
118" (3 m)	Clear Anodized	330 lbs
118" (3 m)	Matte Black Anodized	330 lbs
118" (3 m)	Brushed Stainless Anodized	330 lbs
157" (4 m)	Clear Anodized	330 lbs
157" (4 m)	Matte Black Anodized	330 lbs
157" (4 m)	Brushed Stainless Anodized	330 lbs

## INCLUDED IN DELIVERY

1x	Top Track
1x	Cover
2x	Roller Set
2x	Damping Mechanism
1x	Floor Guide
2x	End Caps for Wall Mount Profile



## SLIDETRACK - Wall Mount Extrusion Set

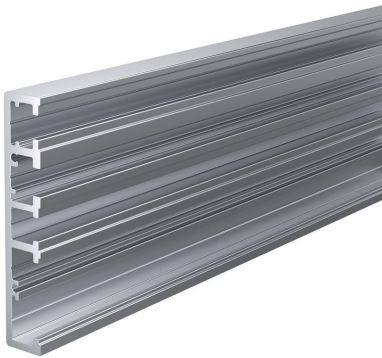


LENGTH	FINISH
236" (6 m)	Clear Anodized
236" (6 m)	Matte Black Anodized
236" (6 m)	Brushed Stainless Anodized

### INCLUDED IN DELIVERY

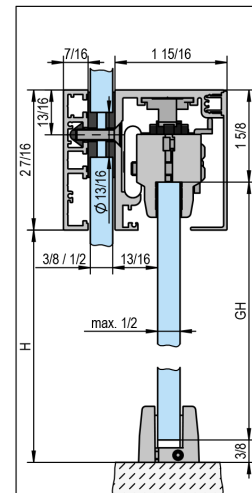
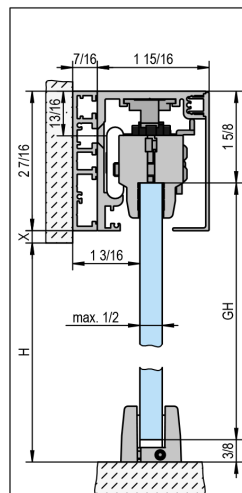
1x Top Track
1x Cover

## Wall Mount Spacer and Glass Mount Adapter



The multi-purpose wall mount profile is used to provide an additional 9/16" (11 mm) clearance for complex site-conditions such as base boards or molding. In addition, the wall mount profile can be attached to transom glass walls using the glass mount accessory kit.

LENGTH	FINISH
78-11/16" (2 m)	Distance Profile, Clear Anodized
78-11/16" (2 m)	Distance Profile, Matte Black Anodized
157" (4 m)	Distance Profile, Clear Anodized
157" (4 m)	Distance Profile, Matte Black Anodized
78-11/16" (2 m)	Wall Mount Spacer kit, for up to 78" (2 m)
78-11/16" (2 m)	Glass Mount Spacer kit, for up to 78" (2 m)





# SLIDETRACK Ceiling Mount

## Product highlights

- Impressive running smoothness
- Exceptional ease of movement
- Smooth closing mechanism
- Safe anti-jump protection
- Elegant appearance in the weight classes 176 lbs and 330 lbs
- Intuitive and cost-saving assembly
- All settings conveniently accessible from the front
- Modular design in all weight classes
- Metal shock absorbers with high-quality hydraulics and double-sided
- Synchronously opening systems possible

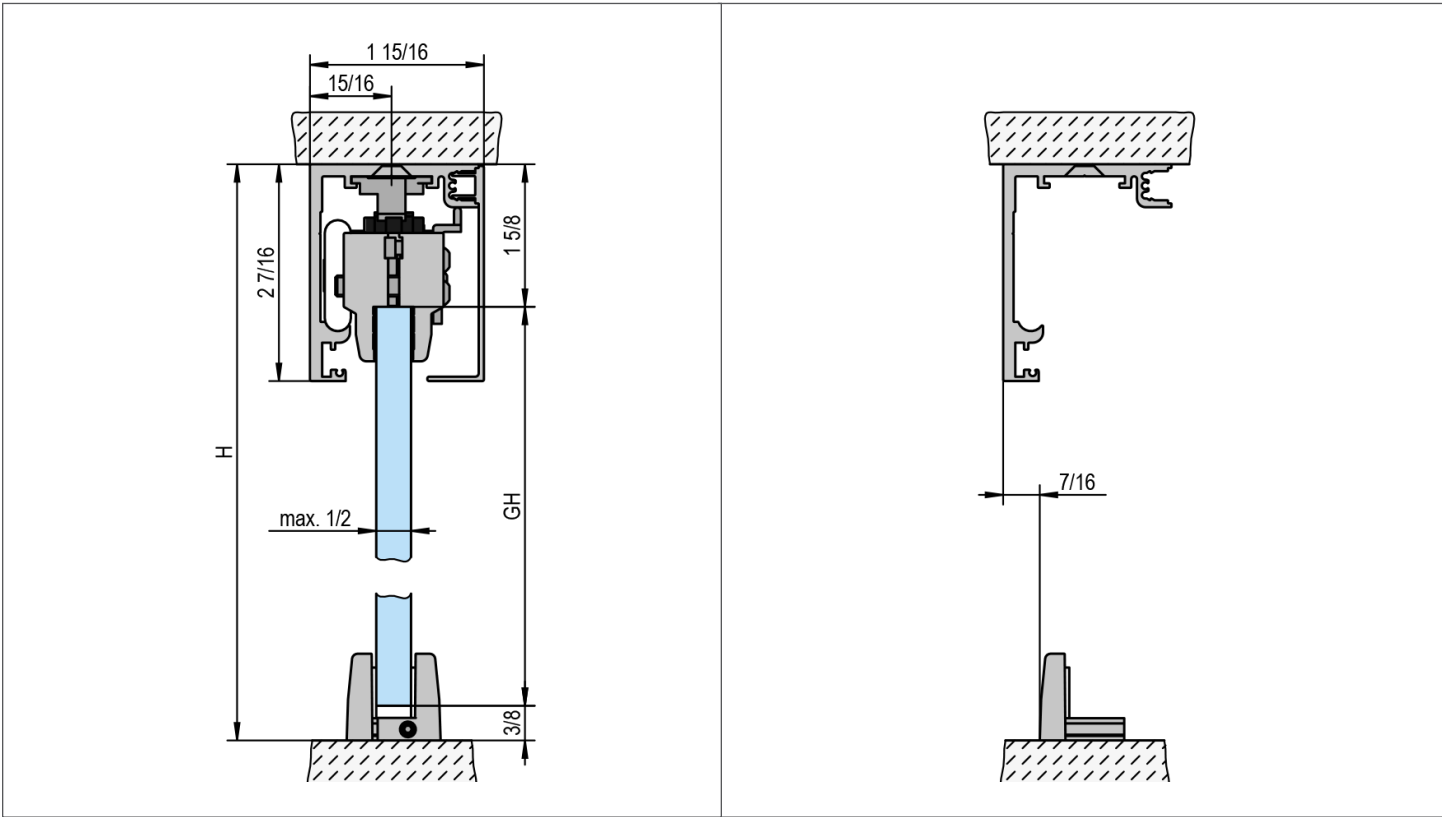


1 slider without fixed glazing  
ceiling mounting



2 slider synchro without fixed glazing  
ceiling mounting





Glass height (GH) = H - 2" (or 51 mm)

LENGTH	FINISH	WEIGHT CAPACITY
78-11 1/16" (2 m)	Clear Anodized	176 lbs
78-11 1/16" (2 m)	Matte Black Anodized	176 lbs
118" (3 m)	Clear Anodized	330 lbs
118" (3 m)	Matte Black Anodized	330 lbs
118" (3m)	Brushed Stainless Anodized	330 lbs
157" (4 m)	Clear Anodized	330 lbs
157" (4 m)	Matte Black Anodized	330 lbs
157" (4m)	Brushed Stainless Anodized	330 lbs

**INCLUDED IN DELIVERY**

1x	Top Track
1x	Cover
2x	Roller Set
2x	Damping Mechanism
1x	Floor Guide

**SLIDETRACK - Ceiling Mount Extrusion Set**



LENGTH	FINISH
236" (6 m)	Clear Anodized
236" (6 m)	Matte Black Anodized
236" (6 m)	Brushed Stainless Anodized



# SLIDETRACK CEILING MOUNT WITH SIDELITE

---

## Product highlights

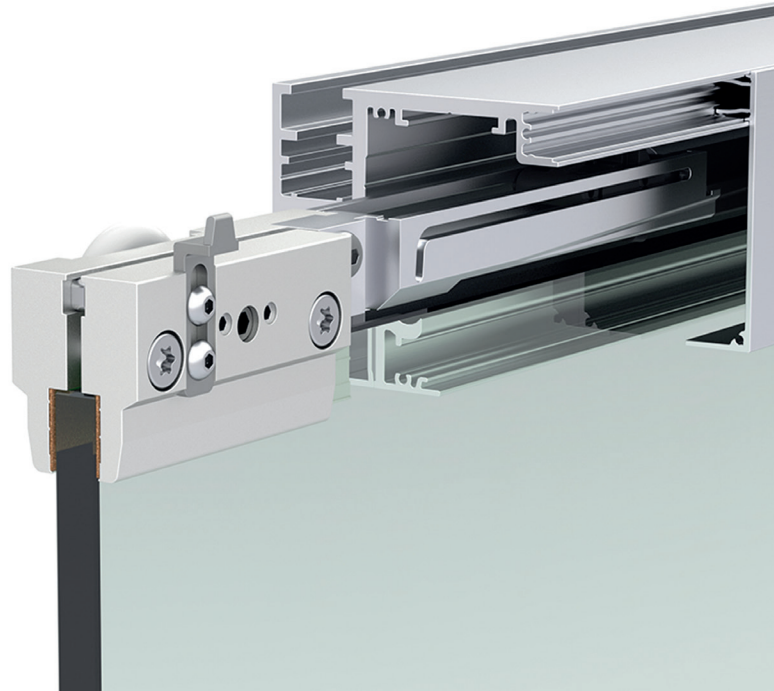
- Impressive running smoothness
- Exceptional ease of movement
- Smooth closing mechanism
- Safe anti-jump protection
- Elegant appearance in the weight classes 176 lbs and 330 lbs
- Intuitive and cost-saving assembly
- All settings conveniently accessible from the front
- Modular design in all weight classes
- Metal shock absorbers with high-quality hydraulics and double-sided
- Synchronously opening systems possible



1 slider with fixed glazing ceiling mounting

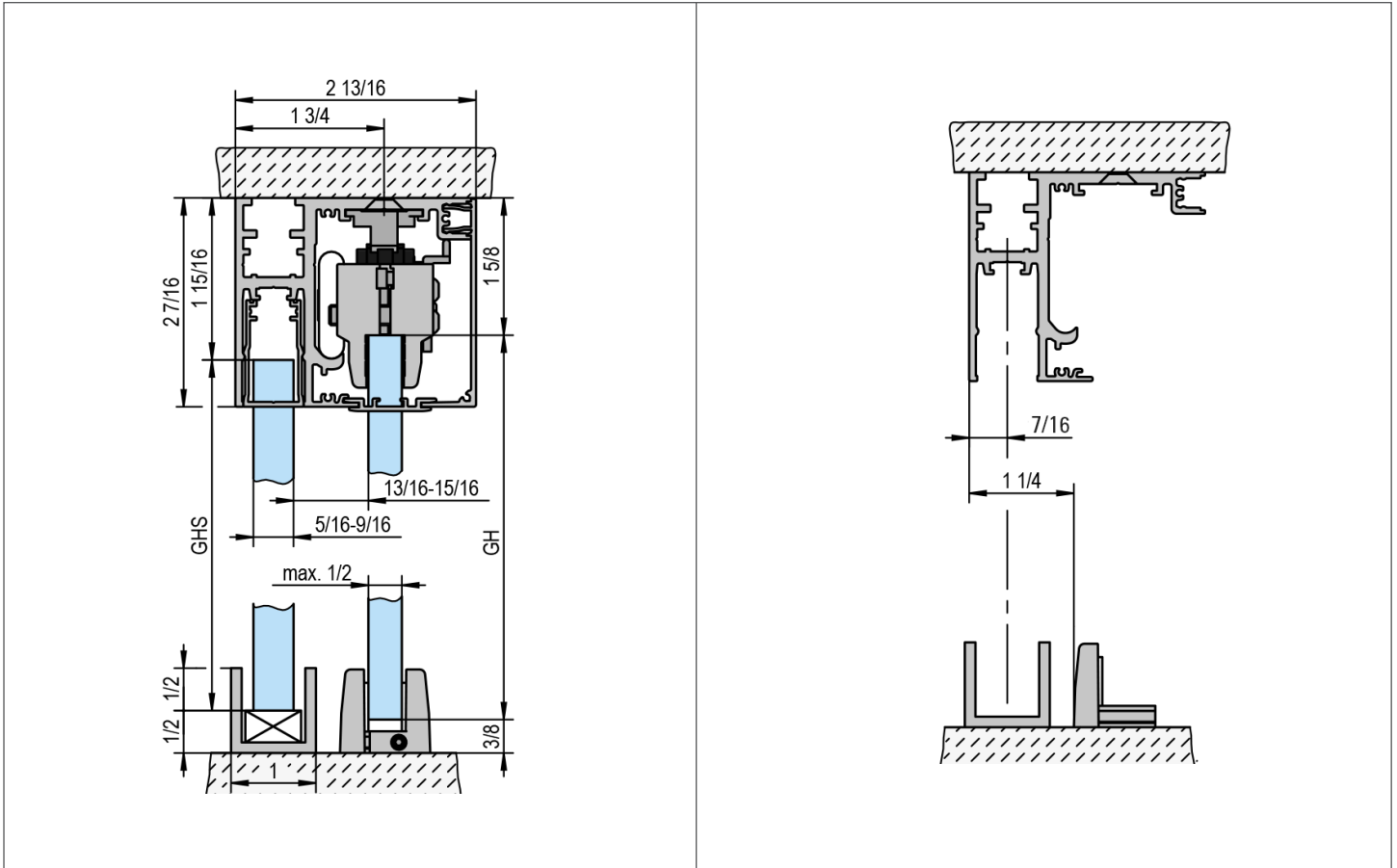


2 slider synchro with fixed glazing ceiling mounting





# SLIDETRACK Ceiling Mount with Sidelite



Glass height (GH) = H + X + 7/16" (or 11.5 mm)

LENGTH	FINISH	WEIGHT CAPACITY
118" (3 m)	Clear Anodized	330 lbs
118" (3 m)	Matte Black Anodized	330 lbs
118" (3m)	Brushed Stainless Anodized	330 lbs
157" (4 m)	Clear Anodized	330 lbs
157" (4 m)	Matte Black Anodized	330 lbs
157" (4 m)	Brushed Stainless Anodized	330 lbs

\*Note: Does not include bottom sidelite channel, nor top and bottom gasket material. See page 15 if these are required.

## INCLUDED IN DELIVERY \*

1x	Top Track
1x	Cover
2x	Roller Set
2x	Damping Mechanism
1x	Floor Guide
1x	Snap Frame for Fixed Profile

## SLIDETRACK - Ceiling Mount Extrusion Set

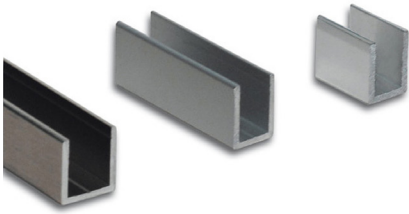


LENGTH	FINISH
236" (6 m)	Clear Anodized
236" (6 m)	Brushed Stainless Anodized
236" (6 m)	Matte Black Anodized

### INCLUDED IN DELIVERY

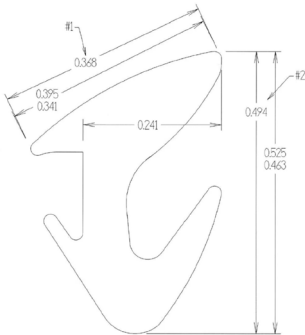
1x Top Track
1x Cover

## Sidelite U-Channel



LENGTH	FINISH
1" x 1" x 120"	Matte Black Anodized
1" x 1" x 120"	Brushed Stainless Anodized
1" x 1" x 120"	Satin Anodized

## Sidelite Gasketing



DESCRIPTION	LENGTH	FOR GLASS THICKNESS
Roll-In Gasket	20'	3/8"
Roll-In Gasket	20'	1/2"

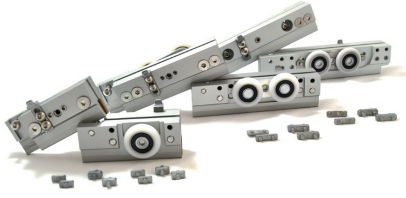
## Soffit Cover



LENGTH	FINISH
98-3/4"	Clear Anodized
98-3/4"	Matte Black Anodized

# SLIDETRACK Accessories

## SLIDETRACK Carriage Set Including Damping Mechanism

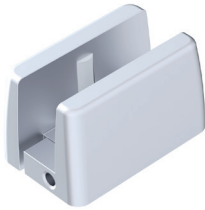


Can be used to upgrade complete door kits to double door systems. The innovative damper slows down the sliding door softly and seamlessly in one movement. The dampers are always constructed identically, ranging from the light to the heavy weight classes. The only difference: they vary in length in order to enable optimal damping and retracting of the different weight classes.

MAX. DOOR WEIGHT	MINIMUM DOOR WIDTH
176 lbs (80 kg)	31-1/8 in (790 mm)
330 lbs (150 kg)	35-5/8 in (905 mm)

INCLUDED IN DELIVERY	WALL MOUNT	CEILING MOUNT	CEILING MOUNT WITH SIDELITE
Roller Set	2x	2x	2x
Damping Mechanism	2x	2x	2x
Trigger for Damping Mechanism	2x	2x	2x

## SLIDETRACK Bottom Guide



The bottom guide consists of two separate pieces. Suitable for many SLIDETRACK applications.

FINISH
Clear Anodized
Matte Black Anodized
Brushed Stainless Anodized

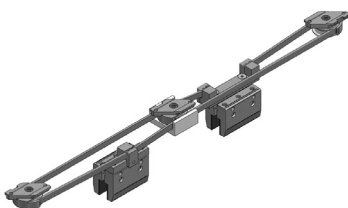
## SLIDETRACK Cover Cap Set



Two cover caps included in delivery set.

FINISH	INSTALLATION
Satin Anodized	Wall / Ceiling Mount
Matte Black Anodized	Wall / Ceiling Mount
Brushed Stainless Anodized	Wall / Ceiling Mount
Satin Anodized	Ceiling with Sidelite Mount
Matte Black Anodized	Ceiling with Sidelite Mount
Brushed Stainless Anodized	Ceiling with Sidelite Mount

## SLIDETRACK Accessory Set Synchro



Used to operate two doors simultaneously, the synchro kit attaches to the roller hardware through a toothed pulley cable. Please note minimum door widths: SLIDETRACK @ 80: 34" (865 mm)  
SLIDETRACK @ 150: 38-1/2" (980 mm)

DESCRIPTION
Suitable for many SLIDETRACK Systems



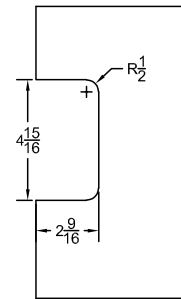
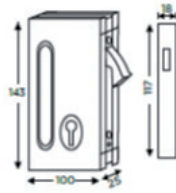
## Center Lock Housing



- Lock including strike plate
- Hook bolt type
- Double 17mm euro keyed cylinder included
- Stainless steel #304 cover caps and strike plate
- Glass fabrication (lock):
  - Depth: 2-9/16" (65 mm)
  - Height: 4-15/16" (125 mm)
  - Radius corners: 1/2" (12.7 mm)

GLASS THICKNESS	FINISH	DIMENSIONS
3/8" - 1/2"	Brushed Stainless	3-15/16" W x 5-5/8" H x 1" D

Packaging: 1 set



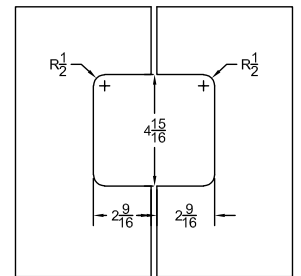
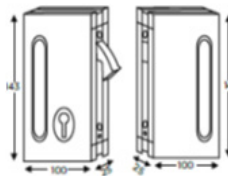
## Center Lock Housing



- Lock including strike box
- Hook bolt type
- Double 17mm euro keyed cylinder included
- Suitable for bi-parting doors
- Stainless steel #304 cover caps
- Glass fabrication (lock / strikebox):
  - Depth: 2-9/16" (65 mm)
  - Height: 4-15/16" (125 mm)
  - Radius corners: 1/2" (12.7 mm)

GLASS THICKNESS	FINISH	DIMENSIONS
3/8" - 1/2"	Brushed Stainless	3-15/16" W x 5-5/8" H x 1" D

Packaging: 1 set





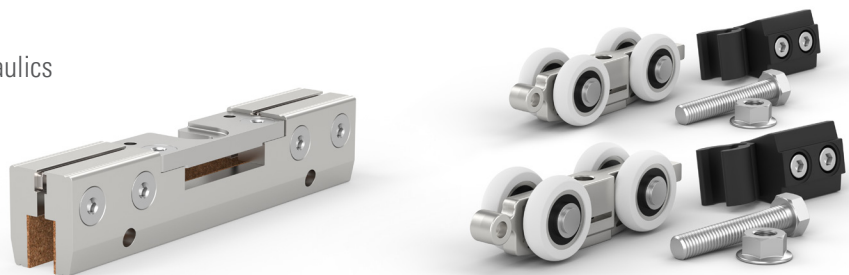
# SLIDETRACK

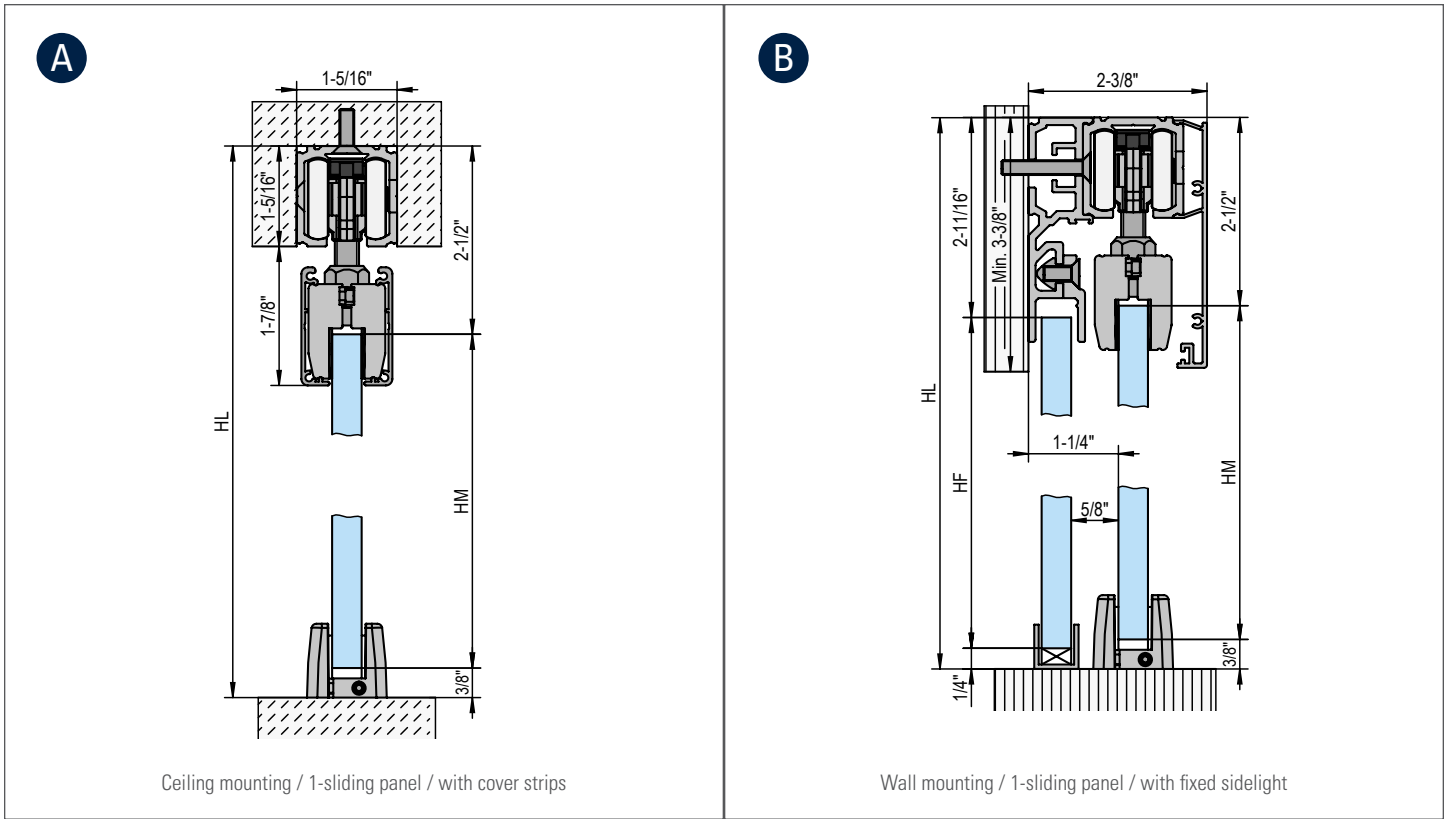
## RECESSED & WALL MOUNT WITH SIDELITE

---

### Product highlights

- Simple glass clamping mechanism for a secure hold
- Installation with and without fixed glazing
- Height adjustment +/- 1/8" (+/-3 mm)
- Smooth closing mechanism
- Safe anti-jump protection
- Optional metal damper with high-quality hydraulics and double-sided spring guide
- Synchronous opening possible





Glass height (HM) & Fixed sidelite (HF) = HL - 2-7/8"

PRODUCT	A	B
Running track 78" / 118" / 157" / 236"	1x	1x
Supplementary profile for fixed sidelights 78"		*
Snapframe and cover caps for pair of glass clamps	1x	
Carriages (set of 2x)	1x	1x
Carriages incl. damping mechanism (set of 1x)**	2x**	2x**
Glass clamp	2x	2x
Cover 3-1/4" height 78" / 118" / 157" / 236"		1x
Bottom guide	1x	1x
U-Channels 10'		1x

\*\* Quantity depends on the length of the Running Track.

\*\* Alternative to standard carriages - these carriages are integrated in the retractable dampers. To install damping on both sides, two carriages are replaced by two retractable dampers.



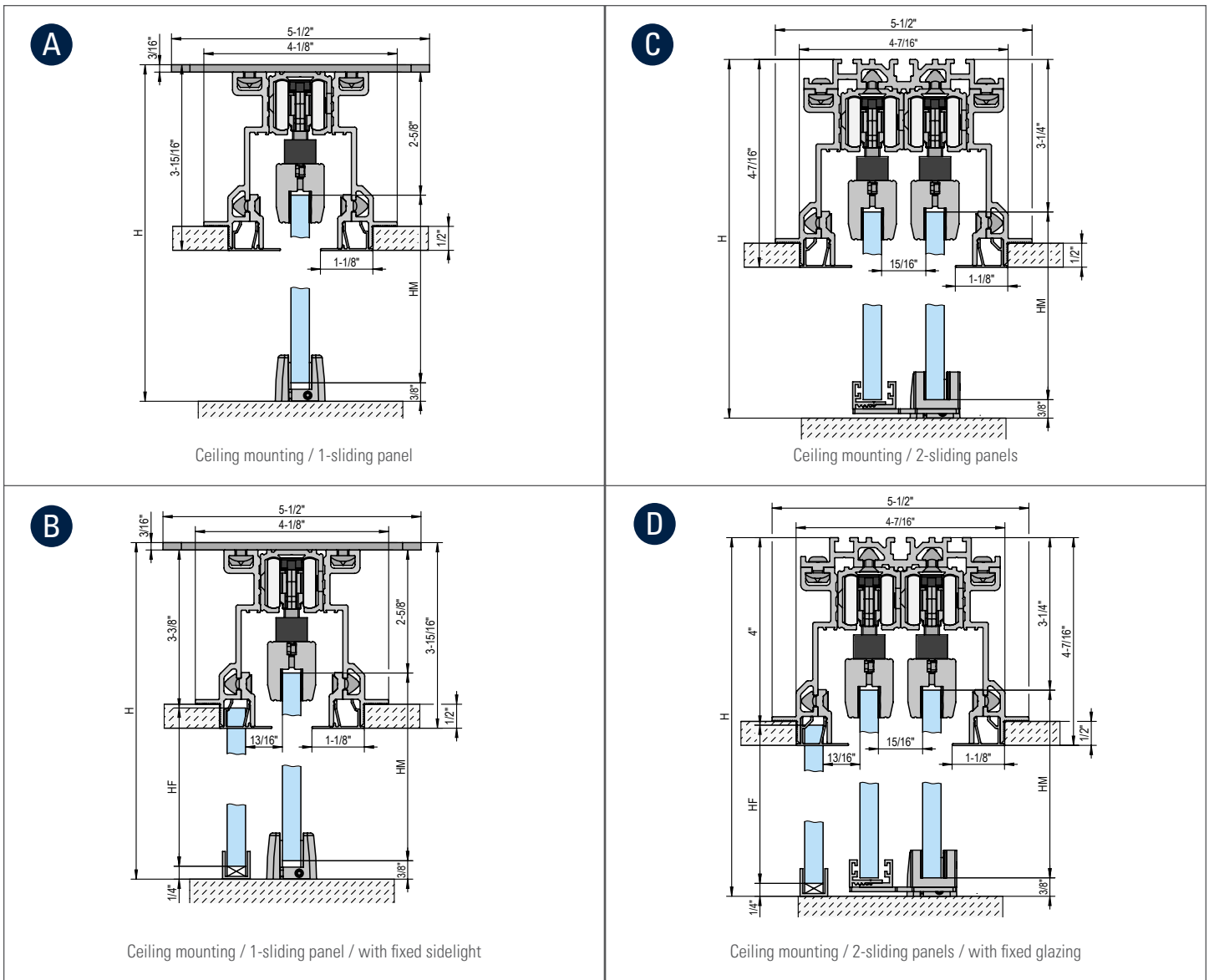


# SLIDETRACK FLUSH MOUNTING

## Product highlights

- Installation with and without fixed glazing
- Simple glass clamping mechanism for secure hold
- Height adjustment +/- 1/8" (+/-3 mm)
- Smooth closing mechanism
- Safe anti-jump protection
- Revision of components possible at any time
- Floating floor guide with two-lane solution
- 2-panel version incl. driver function
- Optional metal damper with high-quality hydraulics and double-sided spring guide





A & B  
 Glass height (HM) = H - 3-3/16"  
 Glass fixed part (HF) = H - 3-13/16"

C & D  
 Glass height (HM) = H - 3-5/8"  
 Glass fixed part (HF) = H - 4-1/4"

PRODUCT	A	B	C	D
Running track 78" / 118" / 157" / 236"	1x	1x	2x	2x
Extrusion set flush for 1x running track	1x	1x		
Extrusion set flush for 2x running tracks			1x	1x
Carriages (set of 2x)	1x	1x	2x	2x
Carriages incl. damping mechanism (set of 1x)*	2x*	2x*	4x*	4x*
Clamp set for flush with 1 sliding door	1x	1x		
Clamp set for flush with 2 sliding doors			1x	1x
U-Channels 10'		1x	1x	

\* Alternative to standard carriages - the carriages are integrated in the retractable dampers. To install damping on both sides, two carriages are replaced by two retractable dampers.

# SLIDETRACK Accessories

## SLIDETRACK - Concealed Running Track

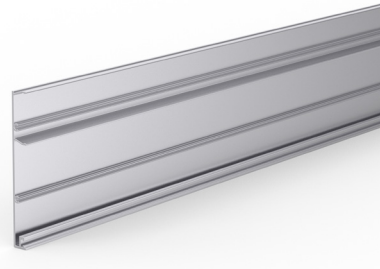


The running tracks of the SLIDETRACK - Concealed series are versatile in use, e.g. as telescopic application with two or three doors or for flush installation with the wall or ceiling. In addition, it can be used for classical wall or ceiling installations.

- Max. door weight: 264.5 lbs (120 kg) Suitable for all
- SLIDETRACK - Concealed applications

APPLICATION	LENGTH	FINISH
Standard / Telescopic	78-3/4" (2000 mm)	Clear Anodized
Standard / Telescopic	118-3/32" (3000 mm)	Clear Anodized
Standard / Telescopic	157-15/32" (4000 mm)	Clear Anodized
Standard / Telescopic	236-7/32" (6000 mm)	Clear Anodized

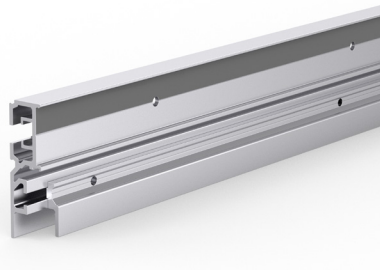
## SLIDETRACK - Concealed Cover



Cover for attachment to the SLIDETRACK - Concealed running track. Suitable for standard wall and ceiling mounting applications.

APPLICATION	HEIGHT	LENGTH	FINISH
Standard	3-9/32" (83 mm)	78-3/4" (2000 mm)	Clear Anodized
Standard	3-9/32" (83 mm)	118-3/32" (3000 mm)	Clear Anodized
Standard	3-9/32" (83 mm)	157-15/32" (4000 mm)	Clear Anodized
Standard	3-9/32" (83 mm)	236-7/32" (6000 mm)	Clear Anodized
Telescopic	3-27/32" (98 mm)	78-3/4" (2000 mm)	Clear Anodized
Telescopic	3-27/32" (98 mm)	118-3/32" (3000 mm)	Clear Anodized
Telescopic	3-27/32" (98 mm)	157-15/32" (4000 mm)	Clear Anodized
Telescopic	3-27/32" (98 mm)	236-7/32" (6000 mm)	Clear Anodized

## SLIDETRACK - Concealed Supplementary Profile for Fixed Sidelights

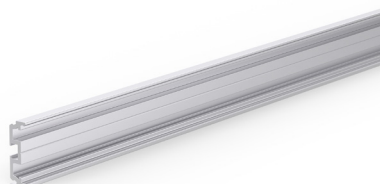


This supplementary profile can be attached either to one or both sides of the SLIDETRACK - Concealed running track and enables inserting and stabilizing fixed sidelights.

- Max. door weight: 264.5 lbs (120 kg)
- Glass thickness: 5/16" - 3/8" (8 - 10 mm)

APPLICATION	LENGTH	FINISH
Standard / Telescopic	78-3/4" (2000 mm)	Clear Anodized

## SLIDETRACK - Concealed Wall Distance Profile



The wall distance profile increases the distance between wall and glass by 5/16" (8 mm).

- Max. door weight: 264.5 lbs (120 kg)

APPLICATION	LENGTH	FINISH
Standard / Telescopic	78-3/4" (2000 mm)	Clear Anodized



## SLIDETRACK - Concealed Profile Set for installation flush with the ceiling

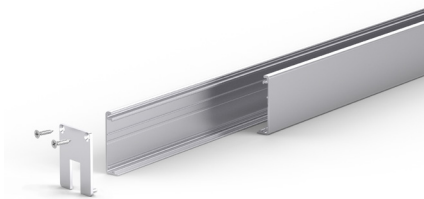


The SLIDETRACK - Concealed profile set includes all required profiles for flush ceiling installation with one guide, including two optional retainers for fixed glazings.

- Max. door weight: 264.5 lbs (120 kg)
- Includes support profile for fixed sidelights

APPLICATION	LENGTH	FINISH
Installation for one door	118-3/32" (3000 mm)	Clear Anodized
Installation for one door	236-7/32" (6000 mm)	Clear Anodized
Installation for two doors	118-3/32" (3000 mm)	Clear Anodized
Installation for two doors	236-7/32" (6000 mm)	Clear Anodized

## SLIDETRACK - Concealed Snapframe and Cover Caps for pair of Glass Clamps



Special snapframes and cover caps which can be directly attached to the glass clamps. Important: please order the pair of glass clamps separately (not included in delivery).

- Max. door weight: 264.5 lbs (120 kg)
- Glass door thickness: 5/16" - 3/8" (8 - 10 mm)
- 1 Cover cap for 5/16" and 1 cap for 3/8" clamps (Pocket Door Application)

APPLICATION	LENGTH	FINISH
Standard	48-13/16" (1240 mm)	Clear Anodized

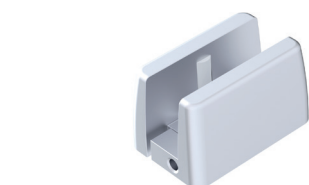
## SLIDETRACK Cover Caps



The cover caps included in the SLIDETRACK - Concealed Series can be mounted quickly and easily. They are available in different sizes depending on the application.

APPLICATION	LENGTH	FINISH
Standard / Telescopic	3-11/32" x 1-21/32" (85 x 42 mm)	Clear Anodized
Standard / Telescopic	3-11/32" x 1-31/32" (85 x 50 mm)	Clear Anodized
Standard / Telescopic	3-11/32" x 2-3/8" (85 x 60.5 mm)	Clear Anodized

## SLIDETRACK Bottom Guide



The bottom guide consists of two separate pieces. Suitable for many SLIDETRACK applications.

FINISH
Clear Anodized
Matte Black Anodized
Brushed Stainless Anodized

# SLIDETRACK Accessories

## SLIDETRACK - Concealed Carriages



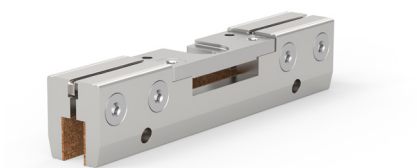
High quality carriage for all SLIDETRACK - Concealed applications

- Max. door weight: 264.5 lbs (120 kg)

### APPLICATION

Standard / Telescopic / Flush with the ceiling

## SLIDETRACK - Concealed Glass Clamp



Glass clamp for most SLIDETRACK - Concealed applications, including classic wall and ceiling installations, and telescopic applications.

- Max. door weight: 264.5 lbs (120 kg)
- Glass thickness door: 5/16" - 1/2" (8 - 12.76 mm)

### APPLICATION

Standard / Telescopic

## SLIDETRACK - Concealed Glass Clamp Sets for installation flush with the ceiling



Glass clamps for mounting SLIDETRACK - Concealed flush with the ceiling in combination with Profile Sets for flush mounting. The set also includes the bottom guide for one door.

- Max. door weight: 264.5 lbs (120 kg)
- Glass thickness door: 5/16" - 3/8" (8 - 10 mm)
- Includes Bottom Guide

### APPLICATION

Flush with the ceiling for 1 door panel

Flush with the ceiling for 2 door panels

## SLIDETRACK - Concealed Carriages incl. Damping Mechanism



Optional metal dampers for all SLIDETRACK - Concealed applications. Equipped with hydraulics and double-sided spring guidance. The sliding door is braked by the damper in one smooth, fluid movement. A self-closing damper replaces a standard carriage.

Minimum door width:

132.2 lbs (60 kg): cushioning on one side = 19-11/16" (500 mm) / cushioning on both sides = 24-19/32" (625 mm)

176.4 lbs (80 kg): cushioning on one side = 22-1/16" (560 mm) / cushioning on both sides = 30-23/32" (780 mm)

264.5 lbs (120 kg): cushioning on one side = 23-5/8" (600 mm) / cushioning on both sides = 32-15/32" (825 mm)

- High quality hydraulics Double-sided spring guidance
- A closing damper replaces a standard carriage

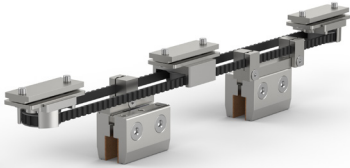
### MAX. DOOR WEIGHT

132.2 lbs (60 kg)

176.4 lbs (80 kg)

264.5 lbs (120 kg)

## SLIDETRACK - Concealed Synchro Accessories Set



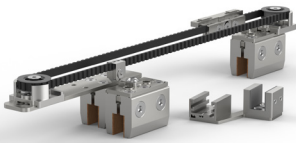
Optional synchronous deflection for simultaneous opening and closing of two door panels. Suitable for the classic wall or ceiling mounting.

- Max. door weight: 264.5 lbs (120 kg)

### APPLICATION

Standard / Flush with the ceiling

## SLIDETRACK - Concealed Telescope Accessories Set

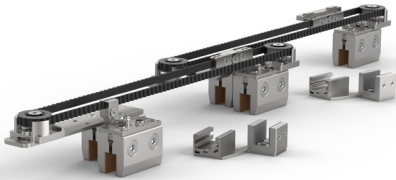


Accessory set for simultaneous opening and closing of two doors in telescopic alignment with two guides.

- Max. door weight: 264.5 lbs (120 kg)
- Glass thickness door: 5/16" - 3/8" (8 - 10 mm)

### APPLICATION

Telescopic for two doors



Accessory set for simultaneous opening and closing of three doors in telescopic alignment with two guides

- Max. door weight: 264.5 lbs (120 kg)
- Glass thickness door: 5/16" - 3/8" (8 - 10 mm)

### APPLICATION

Telescopic for three doors

## SLIDETRACK - Concealed Adaptor for wall mounting



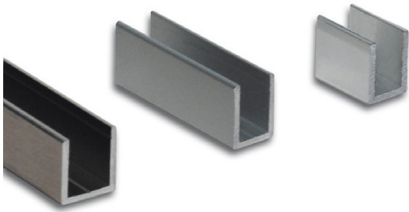
Used for mounting telescopic applications with two guides to a wall.

- Max. door weight: 264.5 lbs (120 kg)
- 5 adaptors per meter necessary

### APPLICATION

Telescopic

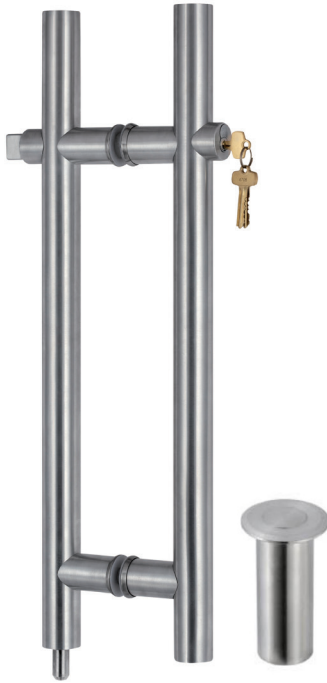
## Sidelite U-Channel



LENGTH	FINISH
1" x 1" x 120"	Matte Black Anodized
1" x 1" x 120"	Brushed Stainless Anodized
1" x 1" x 120"	Satin Anodized

# Additional Products

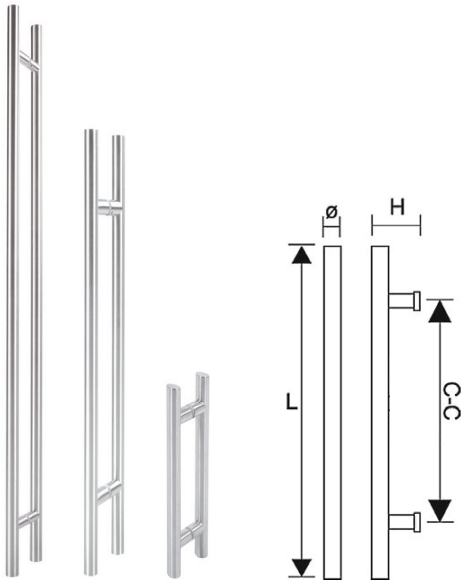
## Locking Ladder Pull



- Bottom locking
- For glass doors
- Glass fabrication: for 1/2" glass - 1" diameter hole at lock, 5/8" diameter hole at bottom post
- Functions Keyed Outside/Thumb turn inside - standard or ADA
- Three keys are included: two for the lock and one cylinder removal key for the 7-pin, 1-1/4" cylinder
- US Standard Cylinder, interchangeable core
- Includes Dust Proof Strike

GLASS THICKNESS	FINISH	HEIGHT	C to C
1/2"	Brushed Stainless Steel	48"	36"
1/2"	Matte Black	48"	36"

## Back-to-Back Ladder Pulls

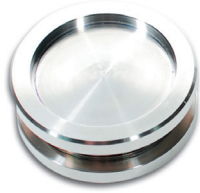


- Made of stainless steel in three finishes: brushed stainless steel, polished, matte black
- 1-1/4" (32 mm) diameter
- Glass fabrication: 5/8" (15 mm diameter hole)

LENGTH (L)	DIAMETER (Ø)	C to C	PROJECTION (H)	FINISH
12"	1-1/4"	6"	2-1/2"	Brushed Stainless Steel
12"	1-1/4"	6"	2-1/2"	Polished
12"	1-1/4"	6"	2-1/2"	Matte Black
24"	1-1/4"	12"	2-1/2"	Brushed Stainless Steel
24"	1-1/4"	12"	2-1/2"	Polished
24"	1-1/4"	12"	2-1/2"	Matte Black
36"	1-1/4"	24"	2-1/2"	Brushed Stainless Steel
36"	1-1/4"	24"	2-1/2"	Polished
36"	1-1/4"	24"	2-1/2"	Matte Black
48"	1-1/4"	36"	2-1/2"	Brushed Stainless Steel
48"	1-1/4"	36"	2-1/2"	Polished
48"	1-1/4"	36"	2-1/2"	Matte Black
60"	1-1/4"	48"	2-1/2"	Brushed Stainless Steel
60"	1-1/4"	48"	2-1/2"	Polished
60"	1-1/4"	48"	2-1/2"	Matte Black
72"	1-1/4"	60"	2-1/2"	Brushed Stainless Steel
72"	1-1/4"	60"	2-1/2"	Polished
72"	1-1/4"	60"	2-1/2"	Matte Black



## Flush Mount Handle



- Closed type, threaded design
- Ideal for sliding doors where ladder pulls will not accommodate
- Drill hole required: 2" (50 mm)
- Stainless Steel .304

GLASS THICKNESS	FINISH	HEIGHT	OUTER DIAMETER
5/16" - 1/2"	Brushed Stainless Steel	9/32"	2-9/16"

## Duplocoll®



Product attributes:

- Thickness: 1/8" (3 mm)
- Color: Transparent
- Roll Length: 39' 4-7/16" (12 m)

- For many different applications, such as all-glass partition walls, showers, furniture, and more
- For many different materials, such as glass, plastic, aluminum, wood, or ceramic
- High transparency due to a light refractive index virtually identical to glass
- Antimicrobial effect inhibits the growth of microorganisms
- Resistant to chemicals and softeners
- Excellent initial tack, lasting ultimate bonding strength
- Elongation of up to 500% and highly split resistant
- By sealing the edges of the adhesive tape, Duplocoll® becomes dry after adhesion and resistant to external influences
- Also suitable for rough surfaces. The viscoelastic adhesive film distributes evenly across rough surfaces.

Max. allowable continuous temperature: -40 °F to + 300 °F (-40 °C to + 150 °C)

### FOR GLASS THICKNESS

5/16" - 3/8"

7/16" - 1/2"

## Applicator Tool for Duplocoll®



### FOR GLASS THICKNESS

5/16" - 3/8"

7/16" - 1/2"



# Chevy Chase Shower Doors

126 Lafayette Avenue  
Laurel, MD 20707

[www.chevychaseshowerdoors.com](http://www.chevychaseshowerdoors.com)  
Phone # 301-470-3910